



# SKF 728619 E

Instructions for use  
Mode d'emploi  
Bedienungsanleitung  
Instrucciones de uso  
Manuale d'istruzioni

Bruksanvisning  
Gebruiksaanwijzing  
Instruções de uso  
使用说明书  
Инструкция по эксплуатации

**Table of contents**

**EC Declaration of conformity.....5**

**Safety precautions .....6**

**1. Description.....7**

**2. Technical data.....8**

**3. Operating instructions.....9**

**4. Maintenance .....10**

4.1 Filling the oil container .....10

4.2 Cleanliness .....10

4.3 Replacement parts .....10

**Original instructions**

## EC Declaration of conformity

We,  
SKF Maintenance Products  
Kelvinbaan 16  
3439 MT Nieuwegein  
The Netherlands

herewith declare that the following product:

**SKF Hydraulic Pump  
728619 E**

which this declaration refers to, is in accordance with the conditions of the following directive:

**Machinery Directive 2006/42/EC**

and is in conformity with the following standards:

EN-ISO 12100:2010,  
EN-ISO 4413

Nieuwegein, The Netherlands,  
June 2013



Sébastien David  
Manager Product Development and Quality



### **READ THIS FIRST** **Safety precautions**

Read this instruction for use fully. Follow all safety precautions to avoid personal injury or property damage during equipment operation. SKF cannot be responsible for damage or injury resulting from unsafe product use, lack of maintenance or incorrect equipment operation. In case of any uncertainties as regards the use of the equipment contact SKF.

Failure to comply with the following could cause equipment damage and personal injury.

- Do ensure that the equipment is only operated by trained personnel.
- Do wear proper personal protective gear, such as eye protection and protective gloves, when operating the equipment.
- Do inspect the equipment and all accessories carefully before use.
- Do not use damaged components or modify the equipment.
- Do use clean recommended hydraulic oils (SKF LHM 300, LHDF 900 or similar).
- Do not use glycerin or water based fluids as a pressure medium. Premature equipment wear or damage can result.
- Do not use the equipment above the stated maximum hydraulic pressure.
- Do not adjust safety valves to work at pressures above the maximum working pressure.
- Do not extend the handle in order to reduce the required force to reach maximum pressure. Use hand pressure only.
- Do not use the pumps with accessories, which are rated below the maximum working pressure of the pump.
- Do use a pressure gauge to monitor the oil outlet pressure.
- Do ensure that all the air has been removed from the hydraulic system before pressurising the hydraulic system.
- Do prevent the workpiece (e.g. bearing, gearwheel or similar item) from being forcibly ejected upon sudden release of pressure (e.g. by use of retaining nut).
- Do not use damaged hoses. Avoid sharp bends and kinks when connecting hoses. Sharp bends and kinks will internally damage the hose leading to premature failure. Applying pressure to a damaged hose may cause it to rupture.
- Do not lift the equipment by the hoses or couplings.
- Do follow local safety regulations.
- Do service the equipment by a qualified hydraulic technician or SKF Repair Centre.
- Do replace worn or damaged parts with genuine SKF parts.

## 1. Description

The 728619 E is a two stage pump. The pump supplies a high rate of flow (20 cm<sup>3</sup> per stroke) below the switching pressure. Above the switching pressure the flow is automatically decreased to 1 cm<sup>3</sup> per stroke.

A 3 metre long high-pressure hose is supplied to connect the pump to the workpiece. One end of the hose has a quick-connection coupling for the connection to the pump. The other end of the hose has a G 1/4" quickconnection nipple for the connection to the workpiece.

The pump comes prefilled with SKF mounting fluid (LHMF 300).

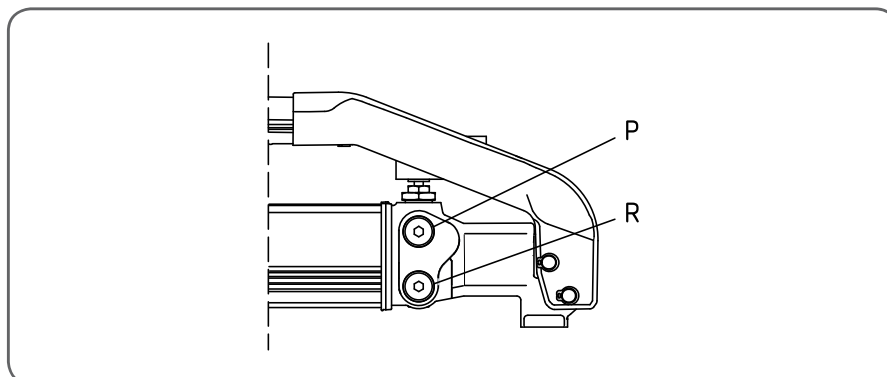
A 1 litre can of mounting fluid is also included. These items are stored in a sturdy metal box.

The pump has an oil outlet connection (P).

The pump also has a return connection (R), to return oil to the oil container.

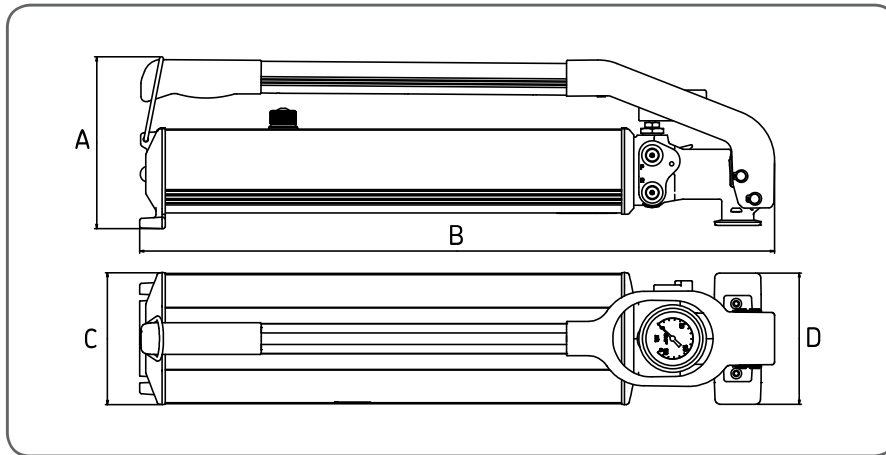
The return connection can be connected to an external oil reservoir when the oil container capacity is not sufficient.

The release valve is in the pump head. The pump includes a safety valve to prevent high pressure that can cause damage to the pump.



## 2. Technical data

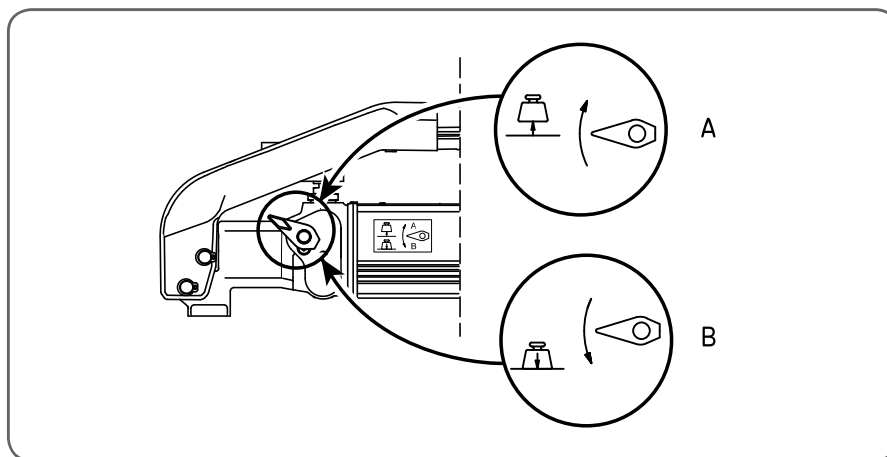
Maximum pressure	150 MPa (21,750 psi)
Volume per stroke	20 cm <sup>3</sup> (1.2 in <sup>3</sup> ) below 2.5 MPa (362 psi) 1 cm <sup>3</sup> (0.6 in <sup>3</sup> ) above 2.5 MPa (362 psi)
Oil container capacity	2 400 cm <sup>3</sup> (146.5 in <sup>3</sup> )
Pressure hose	3 m (118 in) long with quick connection coupling
Connection nipple	G 1/4" external or internal thread
Oil viscosity, mounting fluid	300 mm <sup>2</sup> /s (1 400 SUS) at 20 °C (68 °F)
Weight (filled with oil)	11,4 kg (25 lb)
Handle effort	370 N (83.2 lbf)
Designation	728619 E



Dimension	mm	inch
A	170	6.7
B	620	24.4
C	130	5.1
D	128	5.0

### 3. Operating instructions

- Remove the container plug under the pump handle to check the oil level. Make sure there is sufficient oil to complete the operation. Use oil with a viscosity at operating temperature of 300 mm<sup>2</sup>/s (1 400 SUS) to mount bearings with the SKF Oil Injection Method or a hydraulic nut. Use oil with a viscosity at operating temperature of 900 mm<sup>2</sup>/s (4 100 SUS) for dismounting bearings.
- Hold the pump in a horizontal position and tilt forward as necessary to make sure the oil supply is constant.
- Screw the quick connection nipple (G 1/4) tightly into the workpiece.
- Connect the hose to the quick connection nipple. To connect or disconnect the hose you must retract the collar on the quick connector. Do not disconnect the hose while the oil is pressurised.
- Move the release valve to the pump position. Do not tighten the valve too much. The release valve is found on the side of the pump.
- Operate the pump until the pressure increases to the level necessary for your application. When the pressure is more than 150 MPa (21 750 psi), the safety valve will open.
- Last, open the release valve to let the oil flow back to the oil container.



A. Pump  
B. Release

## 4. Maintenance

### 4.1 Filling the oil container

Set the pump on a flat, level surface to fill the oil container. Remove the plug from the oil container. Fill the oil container until the oil level is at the bottom of the filling pipe.

Do not fill the pump above the bottom of the filling pipe. Too much oil in the oil container can cause a malfunction.

Make sure that there is no air in the oil system. Check for air in the oil system after the oil is replaced and after maintenance to the pump is complete. Operate the pump, and make sure that only air-free oil is supplied from the hose. Use only clean hydraulic oils such as SKF LHM 300 or LHDF 900.

### 4.2 Cleanliness

Do not let metal particles or other contamination enter the pump or oil. Contamination will decrease the service life of the pump.

### 4.3 Replacement parts

Designation	Description
728619 E-1	Pump
728619 E-3	Pressure gauge
728619 E-4	Double outlet adapter
728619 E-7	Repair kit
728619 E-9	Release valve assembly
729831 A	Quick connection coupling
729832 A	Quick connection nipple
729834	High-pressure hose, 3 m long
LHM 300/5	Mounting Fluid (5 litre, 300 mm <sup>2</sup> /s at 20 °C)
LHDF 900/5	Dismounting Fluid (5 litre, 900 mm <sup>2</sup> /s at 20 °C)