

FY 12 TF

Compliance with standard

ISO

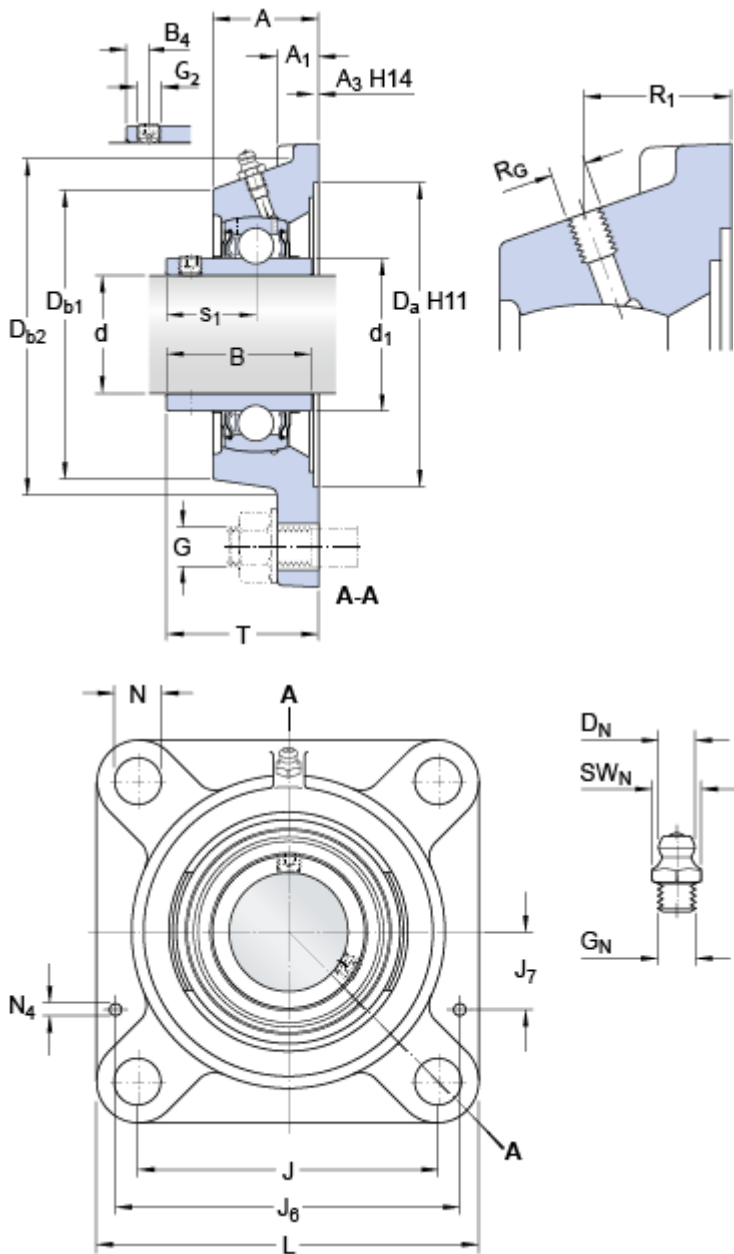
Housing material

Cast iron

Sealing solution

Standard seals with additional flingers

Dimensions



d	12	mm
d ₁	≈ 24.2	mm
A	26	mm
A ₁	11	mm
A ₃	3.2	mm
B	27.4	mm
B ₄	4	mm
D _a	55.6	mm
D _{b1}	50	mm
D _{b2}	53	mm
J	54	mm
L	76	mm
N	11.5	mm
s ₁	15.9	mm
T	32.9	mm

Grease fitting

D _N	6.5	mm
SW _N	7	mm
G _N	1/4-28 SAE-LT	

Threaded hole

R _G	1/4-28 UNF	
R ₁	19	mm

Dowel pins

J ₆	66	mm
----------------	----	----

J_7	14.5	mm
N_4	4	mm

Calculation data

Basic dynamic load rating	C	9.56	kN
Basic static load rating	C_0	4.75	kN
Fatigue load limit	P_u	0.2	kN
Limiting speed with shaft tolerance h6		9500	r/min

Mass

Mass bearing unit		0.37	kg
-------------------	--	------	----

Mounting information

Thread grub screw	G_2	M6x0.75	
Hexagonal key size for grub screw	N	3	mm
Recommended tightening torque for grub screw		4	N·m
Recommended diameter for attachment bolts, mm	G	10	mm
Recommended diameter for attachment bolts, inch	G	0.375	in

Included products

Housing		FY 503 M
Bearing		YAR 203/12-2F