

SKF®

SKF 729659 C



Instructions for use
Mode d'emploi
Bedienungsanleitung
Instrucciones de uso
Manuale d'istruzioni

Bruksanvisning
Gebruiksaanwijzing
Instruções de uso
使用说明书
Инструкция по эксплуатации

EC Declaration of conformity

We,
SKF Maintenance Products
Kelvinbaan 16
3439 MT Nieuwegein
The Netherlands

herewith declare that the following product:

Electric hot plate
729659 C and 729659 C/110V

has been designed and manufactured in accordance with:
EMC DIRECTIVE 2014/30/EU
EUROPEAN LOW VOLTAGE DIRECTIVE 2014/35/EU

EUROPEAN ROHS DIRECTIVE 2011/65/EU

Nieuwegein, The Netherlands,
May 2016

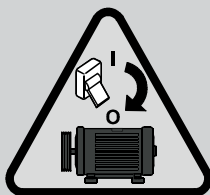


Sébastien David
Manager Product Development and Quality



Safety recommendations

- The operating instructions should always be followed.
- Make sure the supply voltage is correct.
- Always make sure the heater is securely connected to earth.
- The heater should not be used in areas where there is a risk for explosion.
- Never enter the heater body via venting slots/holes.
- Do not expose the heater to high humidity.
- Never modify the heater.
- All repair work should be taken care of by a SKF repair shop.

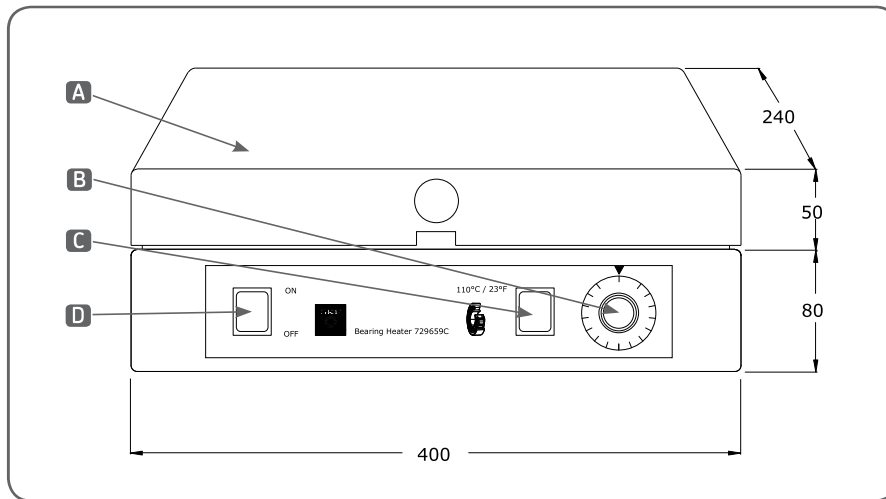


1. Introduction

The SKF electric hot plate 729659 C is intended for heating bearings and other machinery components prior to mounting. It is suitable for components with a bore of up to approximately 100 mm (4 inch) or with a weight of up to 3-4 kg. The hot plate has a maximum temperature of 200 °C (390 °F) and is equipped with a lid for retaining the heat, at the same time dirt is prevented from entering the bearing.

2. Description

The electric hot plate 729659 C consists of a heating plate housed in a metal casing with removable cover. The temperature is controlled by means of a thermostat.



A.	Lid	C.	Heater indication lamp
B.	Thermostat	D.	Power switch

2.1 Technical data

Voltage	230 V, 50/60 Hz or 115 V, 50/60 Hz
Power	1 000 W
Temperature range	50 – 200 °C (120 – 390 °F)
Temperature accuracy	better than 10 °C (18 °F)
Plate dimensions	380 × 178 mm (15 × 7 in.)
Height of lid	50 mm (2 in.)
Outside dimensions	400 × 240 × 130 mm (16 × 10 × 5 in.)
Length of connection cable	2 m (6.6 ft)
Weight	4,7 kg (10 lb)
Designation	729659 C (230 V model) 729659 C/110V (115 V model)

3. Operating instructions

- Make sure the voltage marked on the heater corresponds with the one available from the main supply.
- Connect the heater to the power supply. For certain markets the correct plug might have to be attached in order to fit the electrical socket.
- Set the thermostat to the required temperature. Recommended temperature for bearings is 110 °C (230 °F).
- Turn the unit on by pressing the ON/OFF switch. Main pilot lamp will light up.
- The second pilot lamp is lit while the hot plate is being heated but switches off as soon as the selected temperature has been reached.
- The temperature of the hot plate will remain within 10 °C (18 °F) of the selected value.

4. Safety features

For increased safety the SKF hot plate is equipped with overheating protection. This will automatically switch off the power in case of thermostat failure.

5. Spare parts

Designation	Description
729659 C-1	Heating plate, incl. thermostat and overheating protection